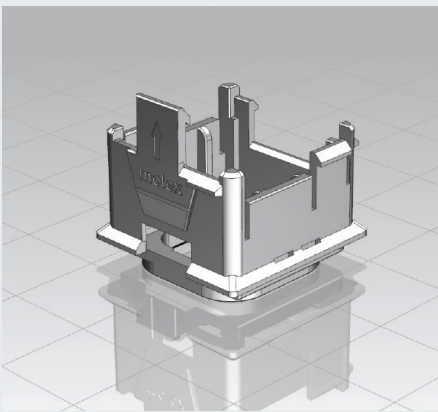
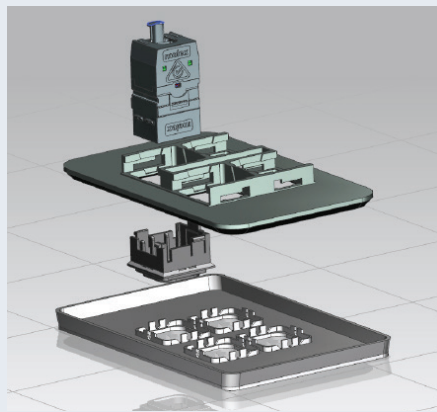


AU Iconic Face Plate Bezel ➤

The AU Iconic Face Plate Bezel enables the PowerCat 6A DataGate Jack with Universal Shutter (KSJ-00096-**) to be inserted into the Clipsal Pro and Iconic Series Face Plates. The bezel allows the Jack to be inserted from any direction into the Face Plate. A terminated Jack should be plugged into the bezel until it securely locks in place. The face plate and cover are then attached to the outlet.



Bezel Top and Side



Bezel fitting into wallplate and jack



Watch Bezel video:
www.youtube.com/watch?v=OGAhK9ZJ5bw

FEATURES AND ADVANTAGES

The bezel can be loaded from the front of the plate

The jack can be inserted with a 90° increment

The jack allows cable entry from the top, left, or right of the jack

The bezel's quick latch allows for easy insert and locking of the jack to the bezel for a straightforward installation

ORDERING INFORMATION

Order No.	SAP No.	Description
MOF-00015	180060164	AU Iconic Face Plate Bezel (Bag of 25)
DataGate Jack		
KSJ-00096-**	Consult Molex	C6A Shielded DataGate Jack 568A/B Universal Shutter

Insert color code in place of ** in part number when ordering jacks: 01=Almond, 02=White, 04=Black, BL=Blue, 08=Gray, GR=Green, 05=Ivory, RG=Orange, PP=Purple, RD=Red, YL=Yellow, PK=Pink

www.molex.com/products/copper/cat6a/

Molex is a registered trademark of Molex, LLC in the United States of America and may be registered in other countries; all other trademarks listed herein belong to their respective owners. This information is correct at the time of publication, specifications are subject to change.