

**Features and Benefits**

The PowerCat Industrial Connector is specifically designed to provide optimum Enhanced Category 5 performance within harsh environments such as, hospitals, chemical refineries, manufacturing facilities, water treatment plants, transportation hubs and food and beverage facilities.

Enabling side and rear entry termination the connector is housed within a rugged Polyester covering. The connector features a bayonet style latch receptacle for quick and easy connection and proper mating depth. The latching mechanism provides one sealing surface which protects the connector from dust, moisture, dirt, vibration, chemicals, electromagnetic interference and temperature extremes, reducing the likelihood of product failure.

- Category 5E
- Side and rear entry termination
- One Sealing Surface
- Bayonet style latch receptacle
- IP 67 and NEMA 6P ratings
- Quick and easy connections as well as ensure proper depth when mating
- Suitable for extreme environments
- Water and dust tight for functional integrity
- Potted/Sealed version available for extra durability

**Commercial Standards**

TIA/EIA-568-B.2  
 UL 94V0  
 IEC IP67  
 NEMA 6P

**Technical Information**

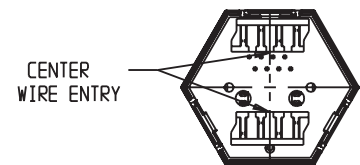
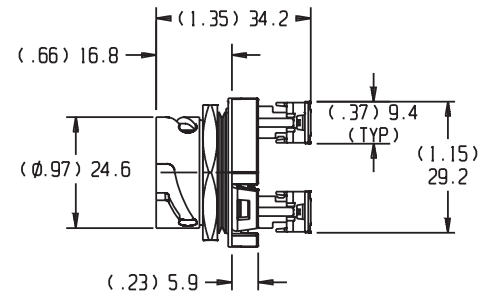
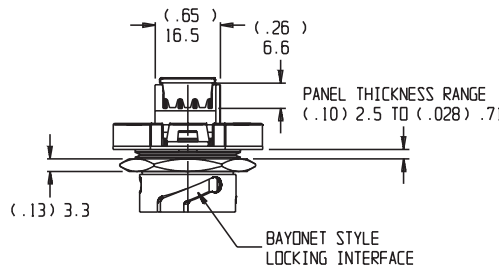
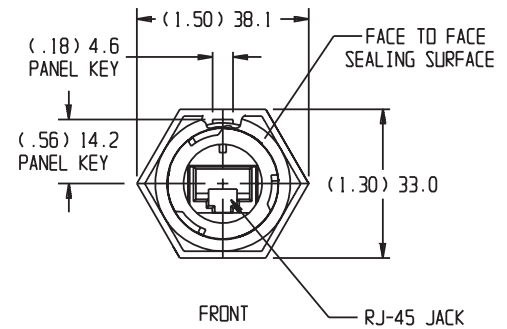
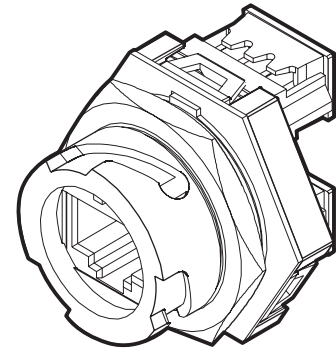
**Mechanical Characteristics**

Housing: PA Polyimide (Nylon), PBT Polyester, TPE Thermo Plastic Elastomer  
 Housing Colour: Black  
 Contact: Phosphor Bronze (CuSn)  
 Plating Contact: 1.27µm (50µ") Gold(Au) Underplating Nickel (Ni)

Durability (Mating Cycles): 500 min.  
 Operating Temperature: -40°C to+ 85°C  
 Storage Temperature: -40°C to +85°C

**Electrical/Optical Characteristics**

Current-max (amps): 1.5A  
 Voltage-max (volts): 125V  
 Withstanding Voltage: 1000V AC  
 Contact Resistance: 20 mΩ max.  
 Insulation Resistance: 500 MΩ min



- REAR - STUFFER CAPS REMOVED FOR CLARITY

**ORDERING INFORMATION**

Order No.	SAP No.	Description
84702-0006	Consult Molex	PowerCat Industrial Connector, Enhanced Category 5, RJ45, UTP - Black
84702-0008	Consult Molex	PowerCat Industrial Connector, Enhanced Category 5, RJ45, Potted/Sealed, UTP - Black

**MOLEX PREMISE NETWORKS**

**Americas**  
 Tel: 630 969 4550  
 www.molexpn.com

**EMEA**  
 Tel: 44 (0)2392 205800  
 www.molexpn.co.uk

**APAC**  
 Tel: 61 3 9971 7111  
 www.molexpn.com.au