

Relay 12V/250V DIN >

The Relay 12V/250V DIN (Fig. 1) is an actuator of the CIIM system.

It is designed for use in situations where it is necessary to control terminals with high current or supply voltage exceeding 12 V.

The device provides galvanic isolation between the control system (CIIM module) and the load (target device). It has NO / NC potential free relay output, which enables connection to the voltage from the range 0 ÷ 250 V AC.

The TBW 2-pin connector must be connected to one of the output terminals (marked as Outputs 1–4) while the terminals must be installed in terminals A1 and A2.

It is supplied as standard with 2.5-meter cable with a TBW 2-pin plug.



Fig. 1

INTERNAL DIAGRAM

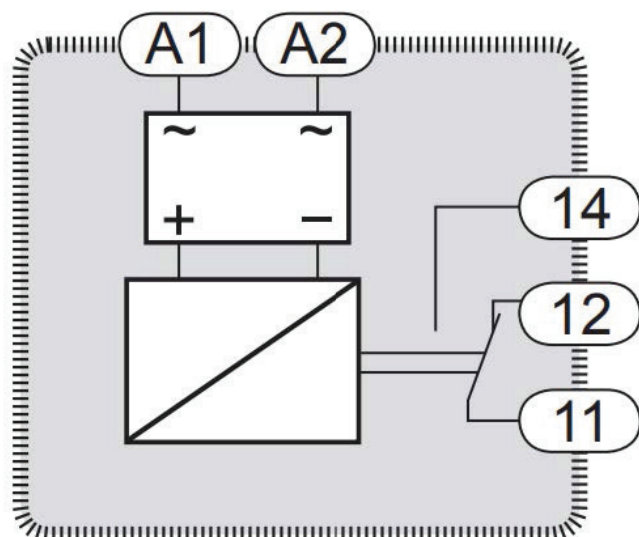


Fig. 2

Relay 12V/250V DIN >

DIMENSIONS

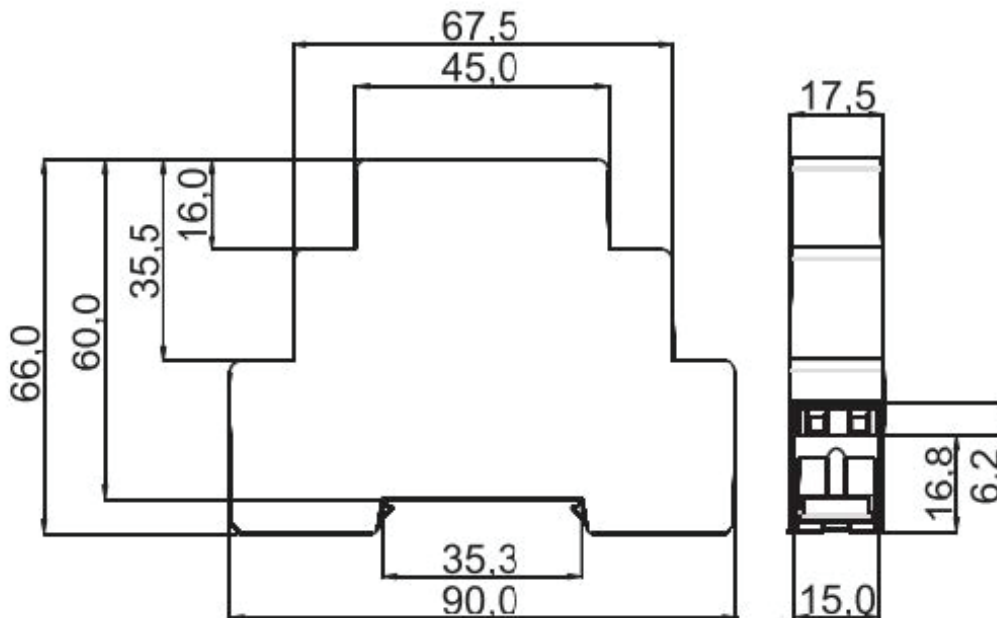


Fig. 3

NOTE

Connect the equipment to a single-phase network in accordance with applicable standards. The connection method is specified in this manual. Installation, connection, and adjustment works should be carried out by qualified electricians who have read the operating manual and functions of the device. Disassembly of the casing will void the warranty and present a risk of electric shock.

Ensure there is no voltage in the connection cables before installation. Use a cross-head screwdriver with a diameter of up to 3.5 mm for the installation. The proper method of transportation, storage, and use affects the device. Installation is not recommended in the following cases: no components, damage to the device, or deformation.

In case of malfunction, please contact the manufacturer.

Relay 12V/250V DIN >

SPECIFICATIONS

Power: 12 V DC (from the CIIM system)

Power supply terminals: A1, A2

Power consumption: 33 mA

Electrical connectors: screw terminals 0.2 ÷ 2.5 mm²

Cable length: 2.5 m

Cable end: TBW 2-pin

Receiver power supply terminals: 11, 12, 14

Actuator transmitter: 1 NO / NC — 16 A / 250 V AC

Casing: plastic

Status control: red LED

Dimensions: 90 x 17.5 x 66 mm (width / height / depth)

Working temperature: from -20°C to +45°C

International protection rating: IP20

Class of protection: II

Overvoltage category: II

Weight: 0.07 kg net

Casing color: white

Accessories: connection cable

Certificates: CE

Warranty: For warranty information, please contact your local Molex Sales Representative.

ORDERING INFORMATION

Order No.	Description
181030143	Relay 12V/250V DIN