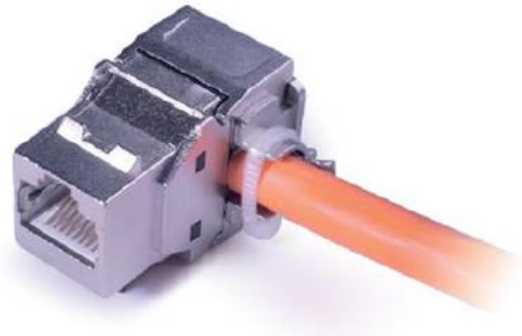
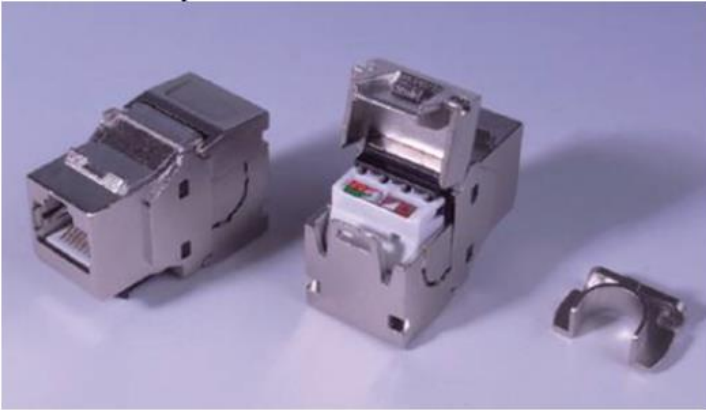


JACK KEYSTONE C6A FTP 568A/B RIGHT ANGLE

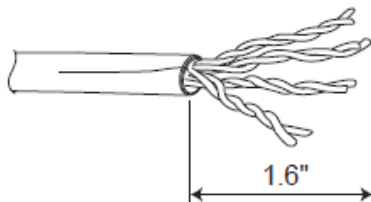


1.0 Scope

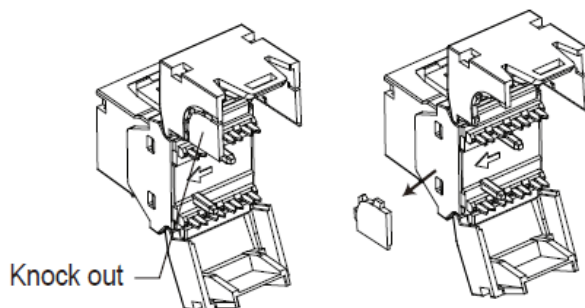
This document will describe the installation instructions for the JACK KEYSTONE C6A FTP 568A/B RIGHT ANGLE

2.0 Procedure

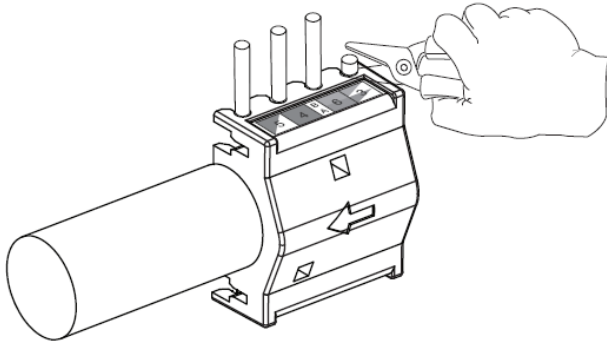
- a) Strip off 1.6 inch of cable jacket Fold back the drain wire and wrap it around the cable.



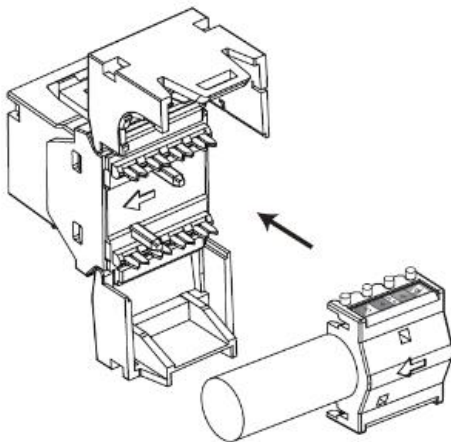
- b) Decide the direction for cable come from, cut the knock-out on either jack flap to allow cable entry.



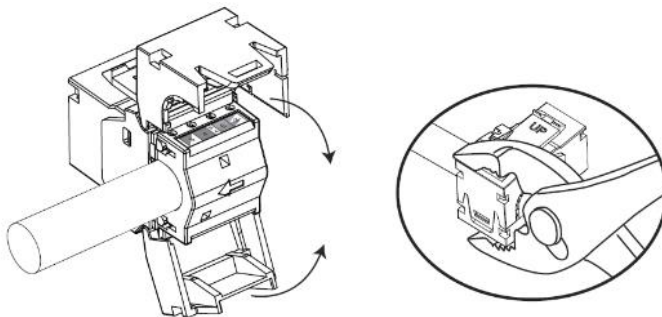
- c) Insert a cable into termination cap from the desired direction, fan out all four twisted pairs. Following the color coding printed on termination cap, position conductors into the slots and make sure the conductors are in the proper slots. Trim the ends of exceeding conductors.



- d) Follow the direction instruction on termination cap and place the termination cap onto jack properly.



- e) Secure the hinged flaps by using a plier until the flaps completely closed.



- f) Insert the grounding clip, make sure the drain wire is in good contact with grounding clip, fasten cable tie to secure cable fixing and complete the installation.

